

# LD57SQ

## Unlensed Low Glare LED Wall Light



Data sheet - Page 1

The LD57SQ is the square bezel version of the LD57. It has been specifically designed to produce minimal glare and be IP67 rated. This makes it perfect for use as a steplight or bulkwalk mounted yacht decklight. The LED is hidden from view by a black anodized shield behind half the glass and whilst the lack of a lens means output is lower, it is adequate for gentle deck and steplighting without any glare from the lightsource (LD57SQ-700 2.4W 700mA recommended).

### Key Features

- LED deep recessed within a black anodised body for no glare
- No optic or reflector
- Minimal aesthetic
- Typical 93 CRI in 3000K warm white
- No visible fixings (spring clips or 'O' rings and first fix sleeve)
- Integral anti-wicking barrier
- Range of bezel finish options
- Available with Switch, 1-10V, DMX, Dali or Mains dimmable drivers

### Specification

#### Applications



#### LED type

1 x Cree XPG2

#### Colour temperature

2700K\*\* / 3000K | 5000K

#### Drive Current (mA)

350 | 500 | 700 | 350 | 500 | 700

#### LED power\* (W)

1.2W | 1.7W | 2.4W | 1.2W | 1.7W | 2.4W

#### CRI (typical)

93 | 93 | 93 | 75 | 75 | 75

#### Forward voltage (V)<sub>100</sub>

3.0V | 3.2V | 3.4V | 3.0V | 3.2V | 3.4V

#### LED lifetime (to 70% lumen maintenance)

50,000hrs at a max ambient temperature of 35°C (if specifying fitting in ambient temperatures of up to 45°C run at 500mA max, LD57-500)

#### Materials

Black anodised aluminium body, Machine finish  
316 stainless steel bezel (other options available)

#### Glass

2mm thick borosilicate

#### Wiring

Comes pre-wired with 2 core 200mm lead, can be specified with up to 10m at extra cost

#### IP rating

IP67

\*LED wattage includes losses associated with using an 85% efficient driver

\*\*2700K lumen output is 12% lower than the 3000K figure listed

4000K lumen output is 14% higher than the 3000K figure listed (80CRI)



# LD57SQ

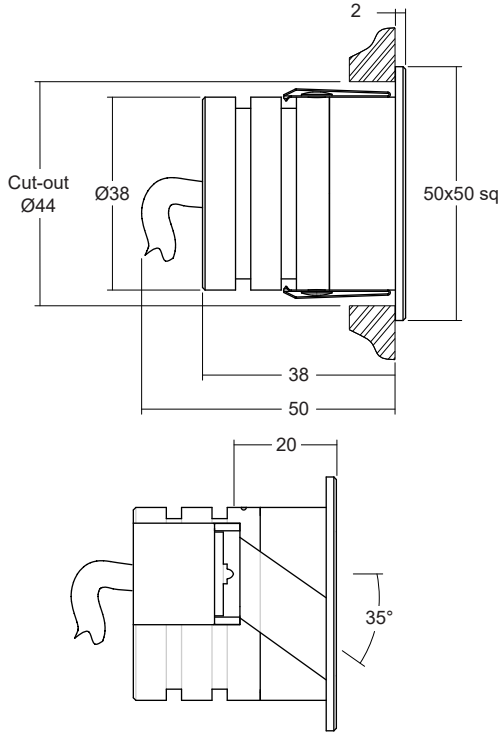
Unlensed Low Glare LED Wall Light



Data sheet - Page 2

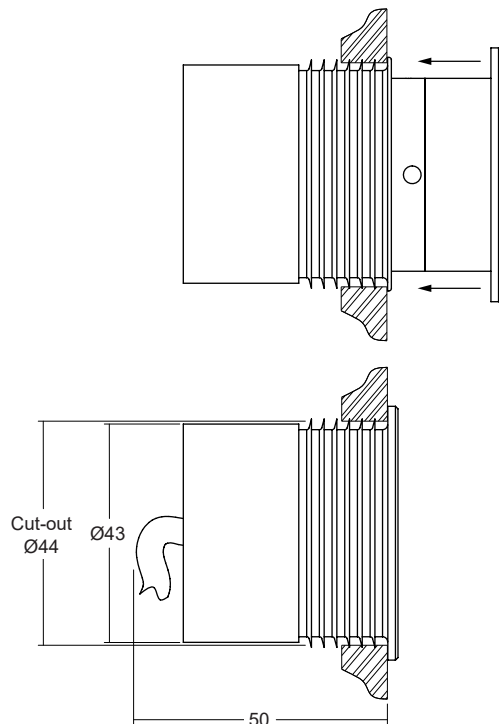
## Dimensions and Fixing Options

**/SC** - Spring clip fixing



**/476** - 'O' rings and sleeve

A more robust and water tight method of fixing, for exterior applications



## Order Codes and Options

| Product code                  | LED colour           | Finish               | Fixing               |
|-------------------------------|----------------------|----------------------|----------------------|
| LD57SQ- 350<br>- 500<br>- 700 | <input type="text"/> | <input type="text"/> | <input type="text"/> |

Example: LD57SQ-500 / LW30 / Stainless steel / 476

### Product codes with output options

|                   |            |
|-------------------|------------|
| 1.2W LED at 350mA | LD57SQ-350 |
| 1.7W LED at 500mA | LD57SQ-500 |
| 2.4W LED at 500mA | LD57SQ-700 |

### LED colour options

|                            |       |
|----------------------------|-------|
| Super Warm White (2200K)   | /LW22 |
| Extra Warm White (2700K)   | /LW27 |
| Warm White (3000K)         | /LW30 |
| White (4000K) - on request | /LW40 |
| Cool White (5000K)         | /LW50 |
| Blue                       | /LB   |
| Green                      | /LG   |
| Red                        | /LR   |
| Amber                      | /LA   |

\*Other LED colour temperatures are available. Please speak to a member of our sales team.

### Finish options

Stainless steel 316  
Polished and passivated stainless steel (for marine environments)  
Paint finish white / black / RAL (not suitable for high traffic areas)

\*See our finishes guide for other options

### Fixing options

|                                |      |
|--------------------------------|------|
| Spring clips                   | /SC  |
| First fix sleeve and 'O' rings | /476 |

### Use with 350mA, 500mA and 700mA constant current LED drivers

We have a wide range of dimmable LED drivers, 0-10V, DMX, DALI and Mains dimmable. Please see the downloads section on our website:

To run 1-14 LD57SQ-350 in series use a TXDEL350D (0-10V dimmable)

To run 1-14 LD57SQ-500 in series use a TXDEL500D (0-10V dimmable)

To run 1-13 LD57SQ-700 in series use a TXDEL700D (0-10V dimmable)